



SKYBARRIER

Edge Protection System

- Designed to comply with AS 4994.1-2009.
- To Provide edge protection for high-rise building.
- Highly flexible and suitable for glass panel facade installation.



Features

- 1 Small gap:**
no gaps bigger than 25mm.
- 2 Fixability:**
all the panels from 200mm to 2m high are openable to work through.
- 3 Advertisement Spot:**
possible to advertise on panels.
- 4 No loose parts:**
no risk of small parts falling from height.
- 5 Full coverage:**
up to 2m high available and attachable to soft net to ceiling

Contact: AZL Holdings

NSW: 02 97722777

VIC: 03 97682011

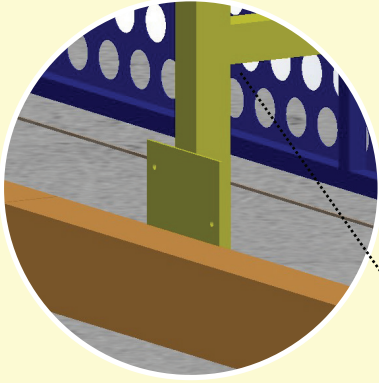
Allen: 0406 207 108

WWW.AZL.COM.AU

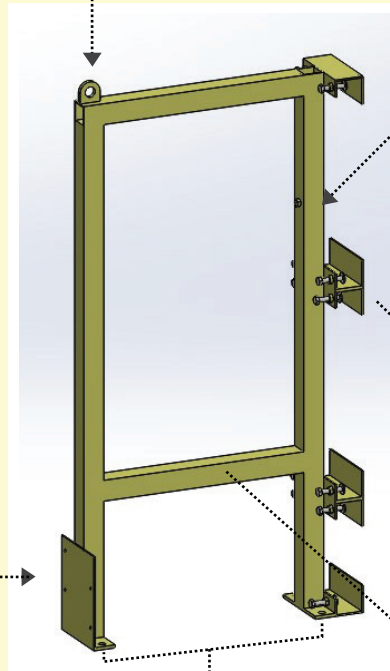
COMPONENTS

1. Horse

Screw one or two layers 95x65mm LVL timber on this plate to stop scissor lift running to the edge.

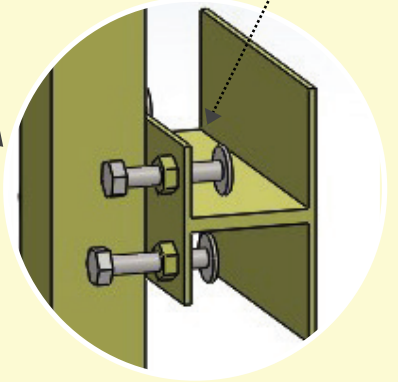


Harness point



Lock bolt & nut to lock extension post

Compression bolts must be tightened.

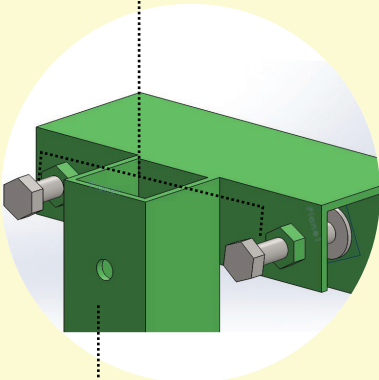


4 holes to bolt Horse on slab

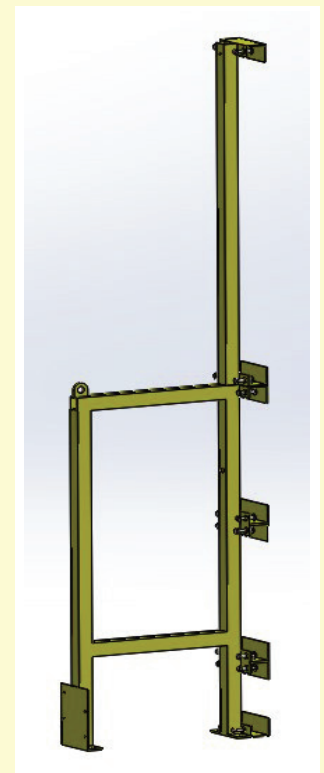
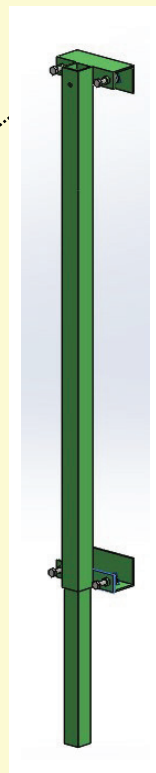
~300mm horizontal bar to step on and easier to ride on the top bar for overhead work

2. Horse extension

Compression bolts must be tightened.

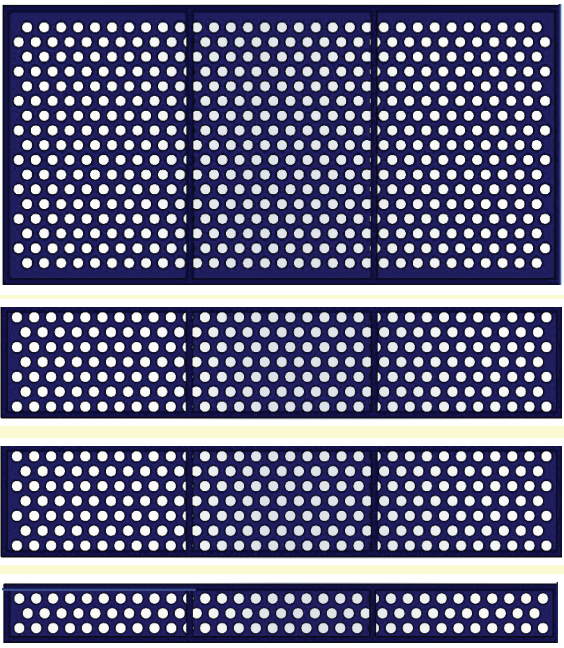


Holes to attach soft nets to achieve full coverage of the whole slab space.



3. Mesh panels

~11.5kg for biggest panel

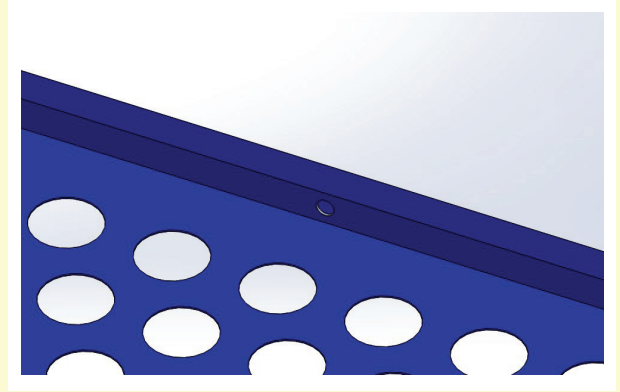


4 panels to achieve 2m high

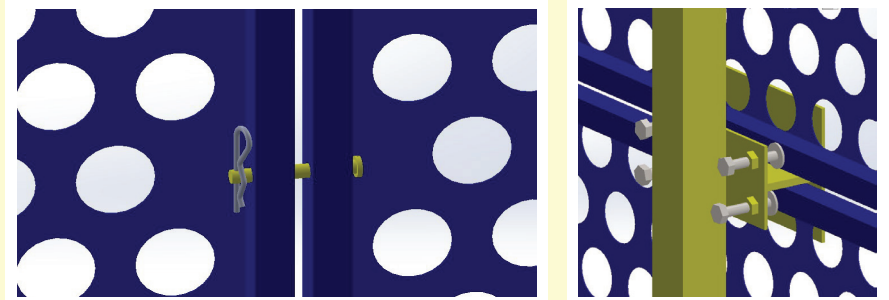
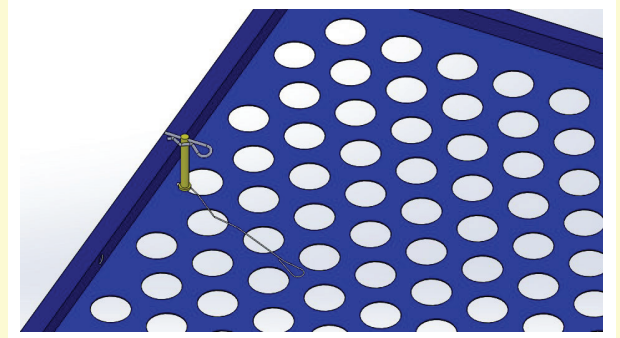
PANEL SIZES:

2X1 m	1X1 m
2X0.4 m	1X0.4 m
2X0.2 m	1X0.2 m

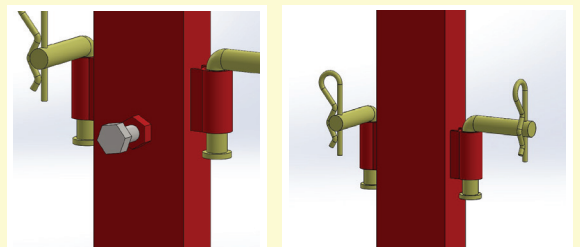
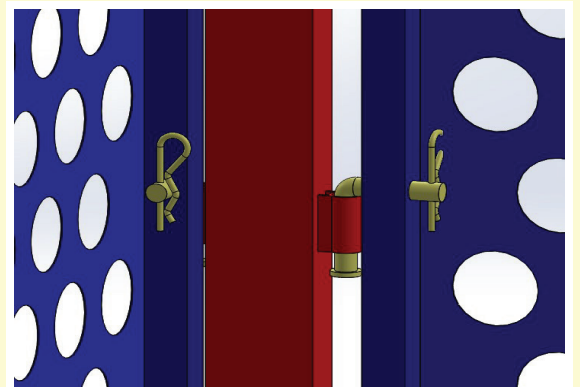
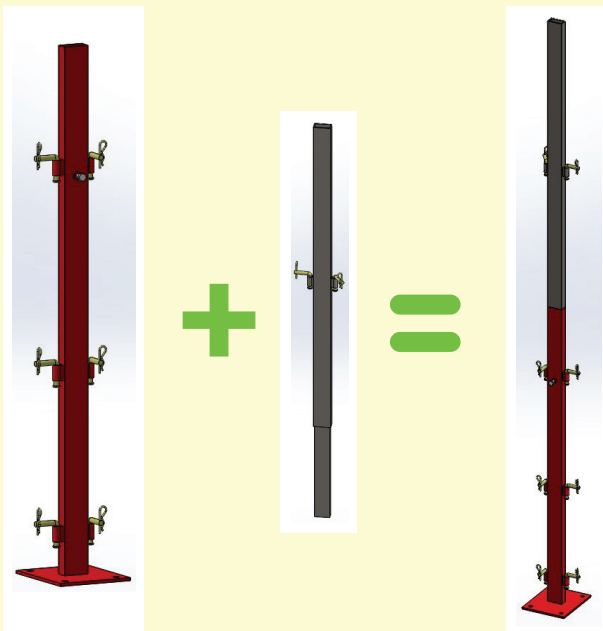
holes to enable connection of panels



pins with steel chain to join panels



4. Corner return post & Extension



HOW TO OPEN THE SCREEN



Updated in
April 2024



Due to constantly innovation and improvement of the systems, the actual products may be slightly different from what this flyer describes.

Please give this a consideration and thanks for your understanding!

- 01 Simply unlock the pins between panels;
- 02 Loosen the screw and slide the panel to left/right
- 03 Lock overlapped panels together by tightening the screw.

AZL Holdings

NSW: 02 97722777

27-29 Fitzpatrick st, Revesby NSW2212

VIC: 03 97682011

2/465 Hammond rd, Dandenong south VIC 3175

Allen 0406 207 108

www.azl.com.au