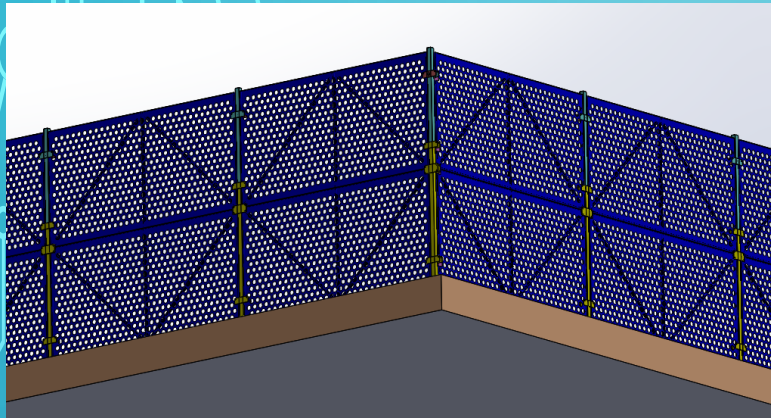


# ADGUARD



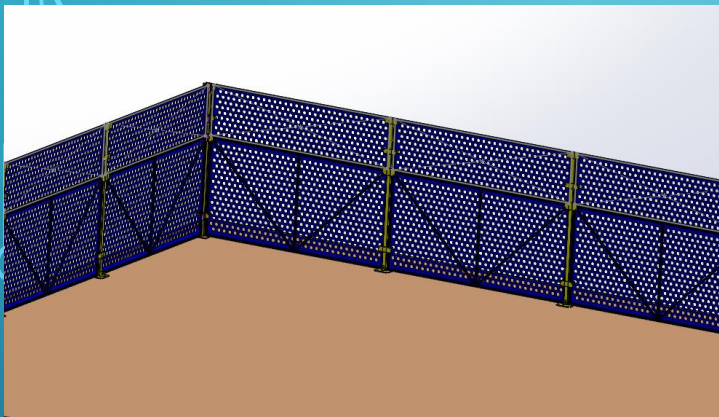
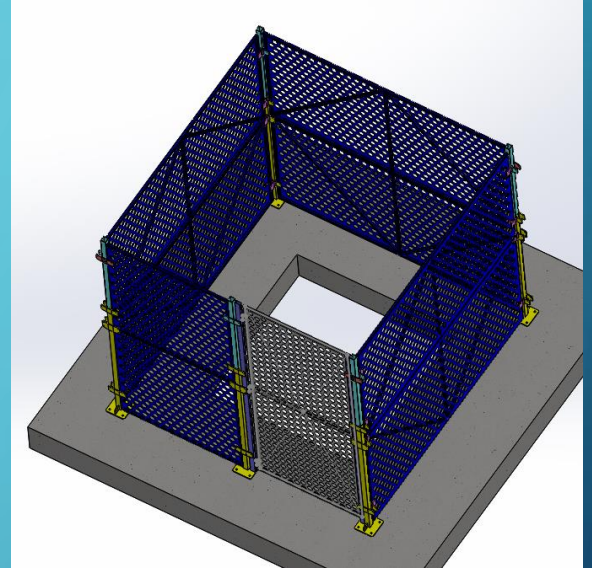
## EDGE PANEL SYSTEM FOR HIRE

This system is designed and tested according to AS/NZS4994.1. It targets on protect people falling from height in construction site. The Patent Application number is 2022900488



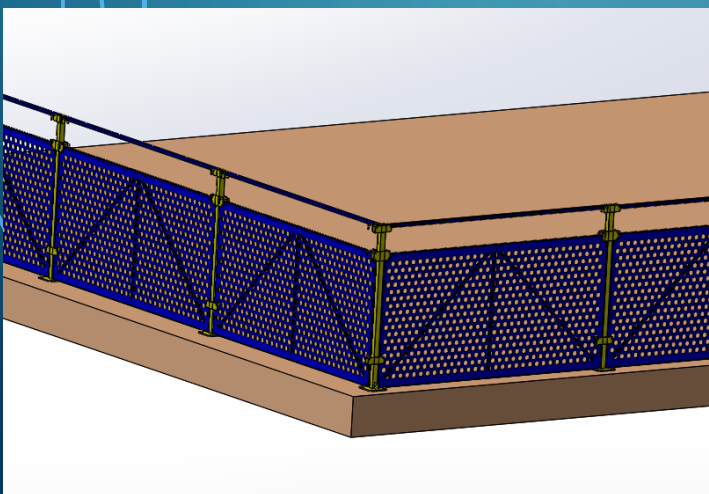
2m Slab edge protection

2m Crane Protection with Locking door



1.5m Slab edge protection

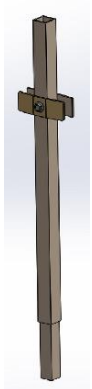
Building Pit Protection 1.2m high



1.2m Slab edge protection

# Components

Less items



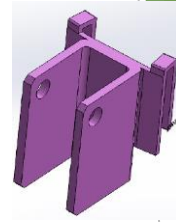
Extension Post 3.5kg



1.2m Post 7.5kg



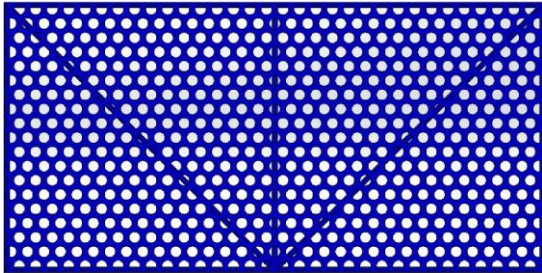
1.5m Post 9kg



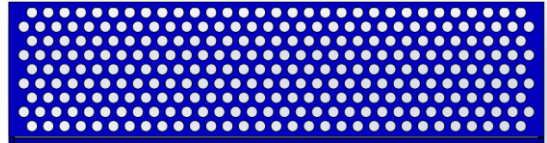
Return clip 0.4kg



Locking pin 0.06kg



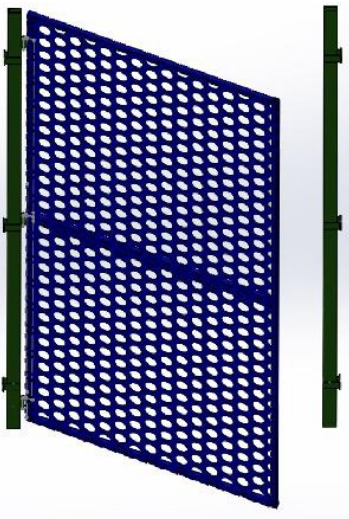
1m High Panel, L 2m (9.6kg), 1m, 0.5m



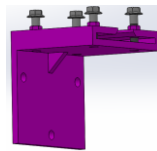
Panel 0.5m high 4.8kg



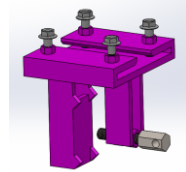
Handrail 2m(2.6kg), 1m, 0.5m



Door set



Wall Bracket 5.8kg



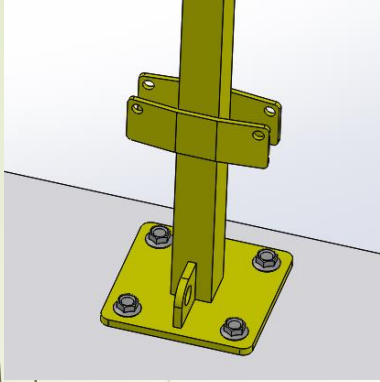
Sheet Piling Bracket 8.4kg

**AZL Holdings Pty Ltd (02) 97722777**

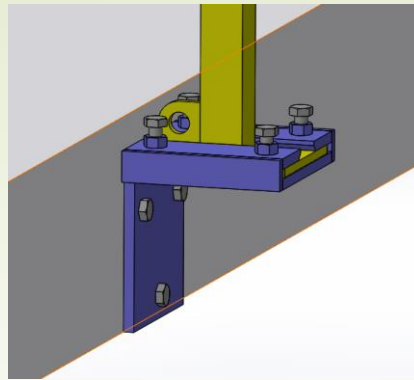
NSW: 0406 493 883 Adam, 0410 591 910 Jeff  
27-29 Fitzpatrick St, Revesby, NSW 2212

VIC: (03) 97682011, 0430 569 986 Jeff  
2/465 Hammond Rd, Dandenong South VIC 3175

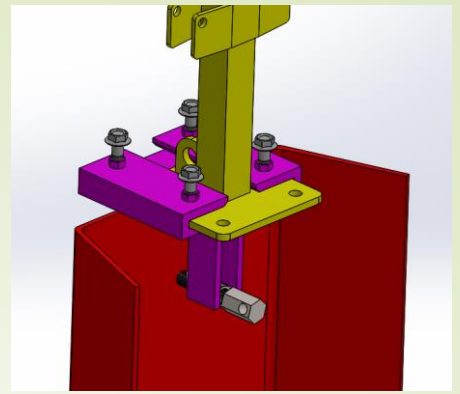
# ADGARD Installation



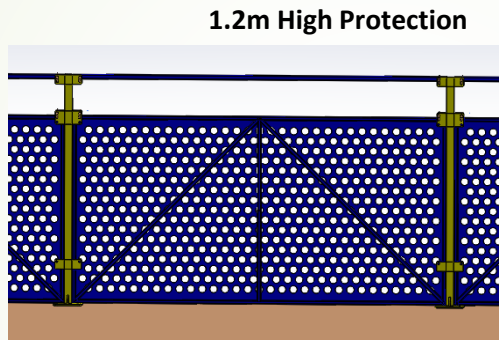
Bolt on ground



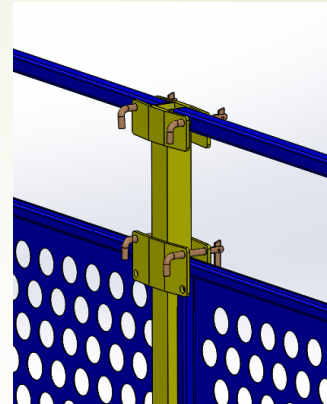
Bolt on wall



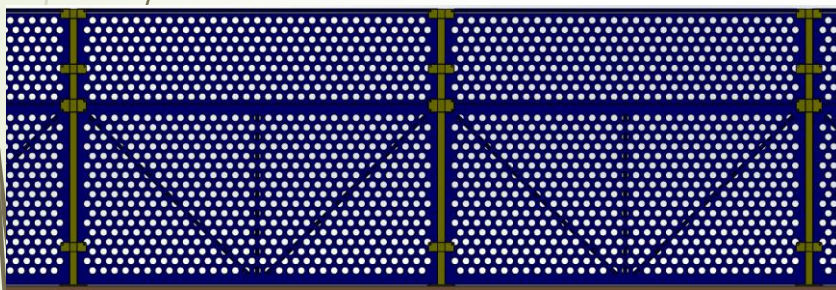
Clamp on Sheet



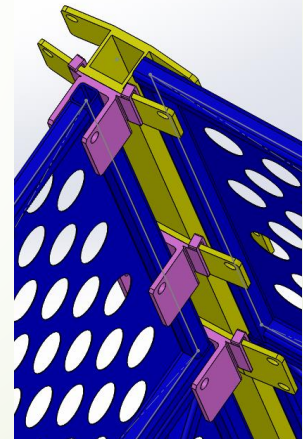
1.2m High Protection



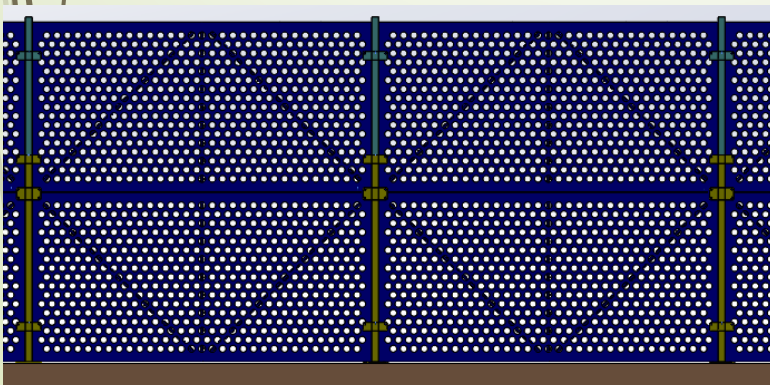
Toggle Pin lock



1.5m High Protection



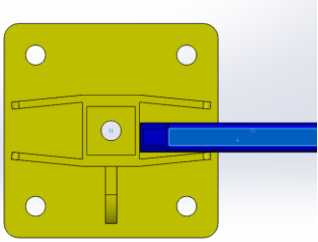
Returns



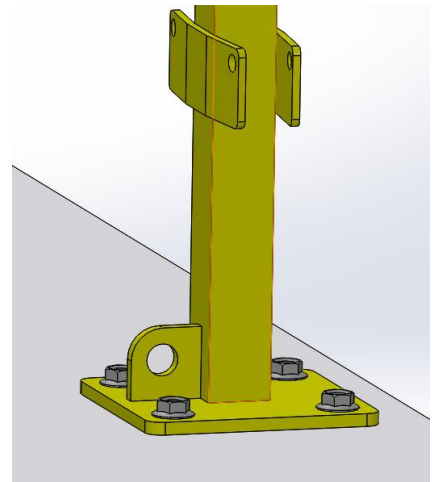
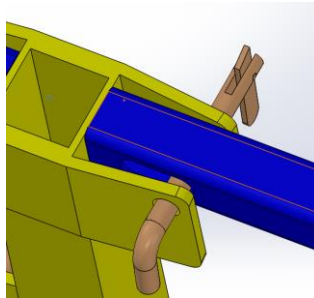
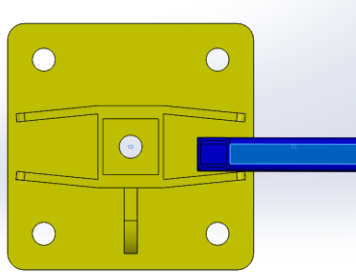
2m High Protection

**AZL Holdings Pty Ltd**  
(02) 97722777 [www.azl.com.au](http://www.azl.com.au)  
NSW: 0406 493 883 Adam,  
0410 591 910 Jeff  
VIC: 0430 569 986 Jeff

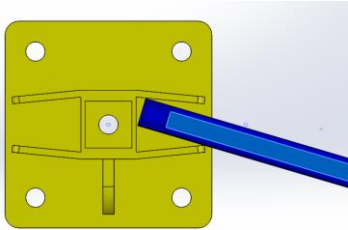
# ADGUARD FEATURES



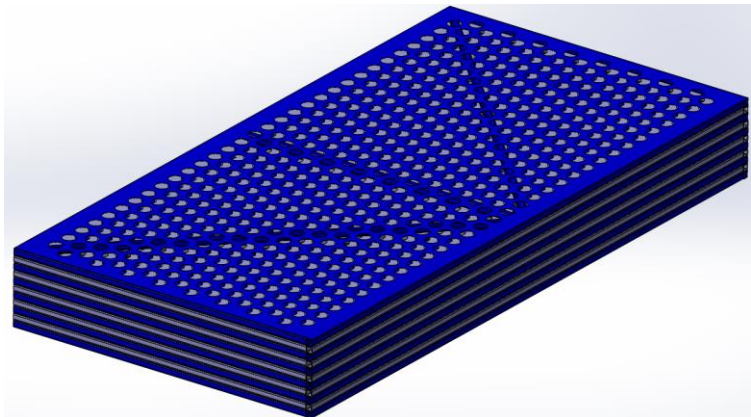
Horizontal tolerance let the installation positions are not so critical.



Harness Points allow workers have more protection



About 20° adjustment allow avoid difficult installation points and install circular guards.



Panels can be stacked neatly to save space in both transport and storage.



In the panel, you can do your advertising.

**AZL Holdings Pty Ltd**

(02) 97722777 [www.azl.com.au](http://www.azl.com.au)

NSW: 0406 493 883 Adam,

0410 591 910 Jeff

VIC: 0430 569 986 Jeff