

# **SAFETY RULES & INSTRUCTIONS**

FOR

**Multi Function Mini  
Scaffold**

**Aluminium & Steel**

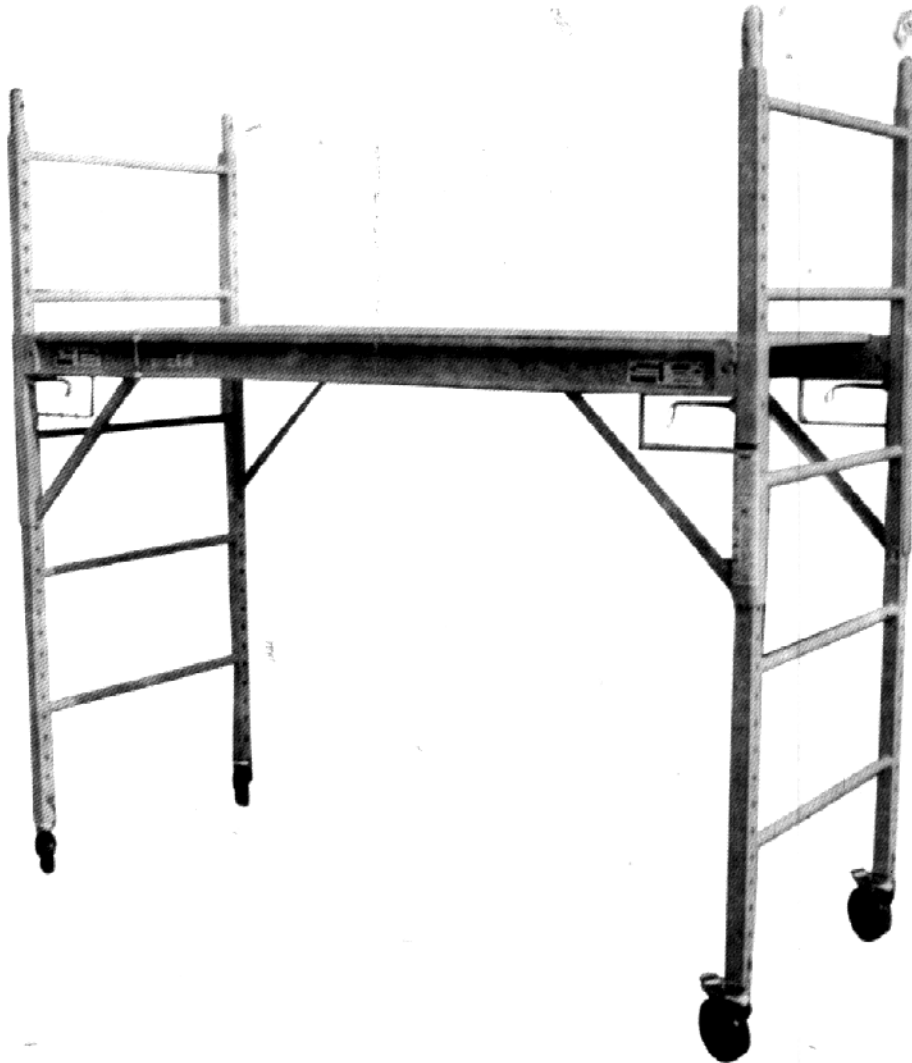
Interior or Exterior Use

**SAFETY RULES and INSTRUCTIONS**

**FOR**

**AR SCAFFOLDING  
AR ALUMINUM MOBILE  
AR STEEL MOBILE**

**INTERIOR or EXTERIOR USE**



## ! WARNING !

Improper assembly, dismantling or use of Multi-Use Scaffold may result in serious injury or death. Assemblers, dismantlers, and users of AR Multi-Use Scaffold must read and fully understand these Safety Rules & Instructions as well as the OH&S, state and local regulations pertaining to this equipment prior to use.

### LOAD CAPACITIES

**1.9 metres Length Unit**  
**Light duty rates - 225kg SWL**  
**Maximum Load 450kg (WORKERS & MATERIALS)**

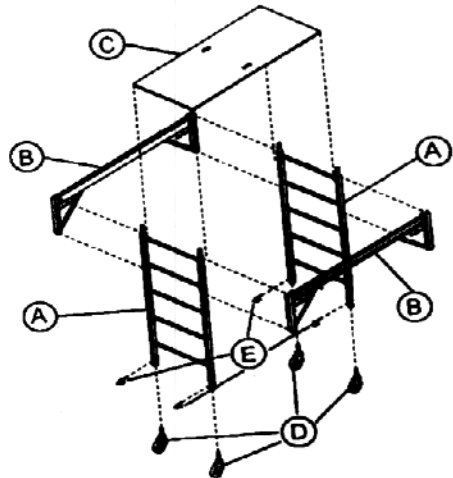
*WARNING! DO NOT OVERLOAD SCAFFOLD, MAY RESULT IN SERIOUS INJURY!*

### ITEM SPECIFICATIONS

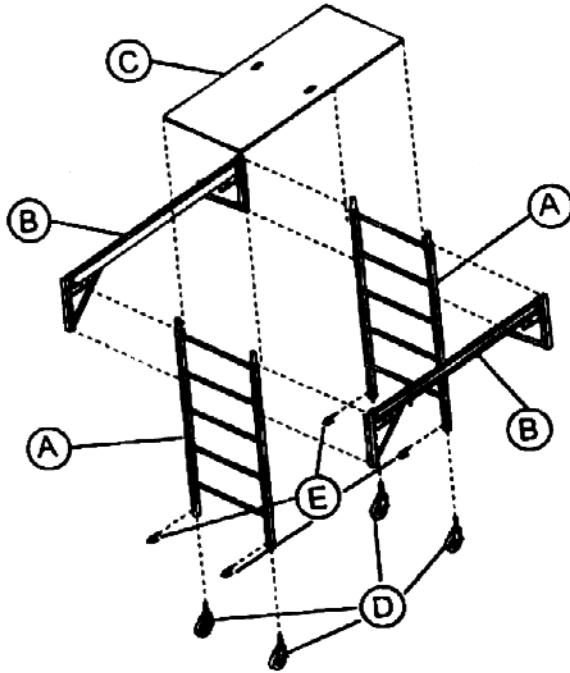
Product	Overall Length	Overall Width	Overall Height	Folded Length	Highest Standing Level	Overall Weight	Thickness
AR Aluminum	1900mm	750mm	4.8m	1900mm	3.6m	90kg Net	3.0mm
AR Steel 2	1900mm	750mm	4.6m	1900mm	3.6m	181kg Net	3.0mm
AR Steel 3	1900mm	750mm	6.5m	1900mm	5.3m	250kg Net	3.0mm

### ASSEMBLY INSTRUCTIONS

For proper assembly, your AR Multi-Use Scaffold must comprise of 13 individual parts. (as per drawing)



## Parts List per Box



No.	Part Name	QTY
A	Frame	2
B	Side Brace	2
C	Platform	1
D	Castor	4
E	Lock Pin	4

### Step 1 - Attach side brace B to two frames A

- Pull L-shape lock pin at each end of side brace to the disengaged position. (see exhibit A)
- While holding L-shape pin in disengaged position, place U-channel on each end of side brace B around leg of frame A at desired platform height.
- Release lock pin and be sure that pin fully engages into hole in frame A leg.

### Step 2 - Attach second brace B to two frames A

- Repeat instructions in Step 1.

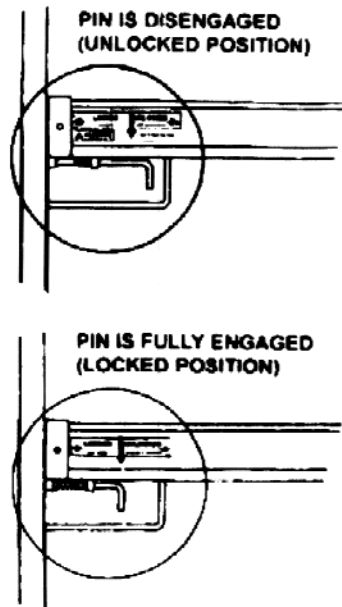
## ⚠ WARNING ⚠

Both side braces must be positioned at the same height on the frames so that the platform will be level.

Be sure all 4 L-shape lock pins are fully engaged in holes of frames.

Be sure all 4 L-shape lock pins are in the locked position.

## EXHIBIT A



**Step 3** - Install platform C on side braces B so that the platform is fully seated within inner channel on top of side braces.

**Step 4** - Rotate the platform clips into the engaged position.

**Step 5** - Install 4 castors D into legs of frame A and pin with lock pins E.

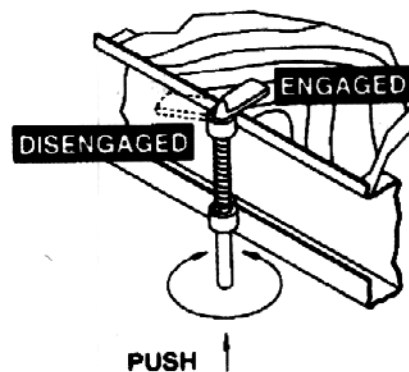
**Step 6** - Install 4 outriggers into legs of bottom frame.

**Step 7** - While standing on first platform, insert third frame A into top of first mobile scaffold frame. Then insert fourth frame A into top of first mobile scaffold frame.

**Step 8** - Attach second side brace B to two frames A ensuring the L-shape lock pin at each end of side brace is engaged. And repeat other side.

**Step 9** - Install platform as per Step 3 and 4

**Step 10** - Install guardrail



## **! WARNING !**

Recheck all side brace lock pins for full engagement before accessing platform.

Recheck platform to be sure it is properly seated within side brace channel and the platform clips are fully engaged before accessing.

When accessing platform, climb over top of frame ladder – **DO NOT SWING AROUND SIDE OF FRAME.**

## **SOME TYPICAL APPLICATIONS INCLUDE:**

- |   |  |
|---|--|
| <ul style="list-style-type: none"><li>■ Painting</li><li>■ Acoustical / Ceilings</li><li>■ Drywall Installation &amp; Taping</li><li>■ Window Cleaning &amp; Treatment Installation</li><li>■ HVAC Installation</li><li>■ And much more</li></ul> | <ul style="list-style-type: none"><li>■ Sign Installation &amp; Maintenance</li><li>■ Overhead Door Installation</li><li>■ Lighting &amp; Wire Maintenance &amp; Electrical</li><li>■ General Building Maintenance</li><li>■ Functions as shelving</li></ul> |
|---|--|

## **DISMANTLING NOTES**

The work of dismantling scaffolding should be under the supervision of an individual with proper experience and competence. The following should be observed while dismantling:

1. It shall be the responsibility of the individual to read and comply with the following common sense guidelines which are designed to promote safety in the dismantling of the scaffolding.
2. Check to ensure if scaffold has been structurally altered in any way which would make it unsafe; and if so, reconstruct where necessary before commencing with the dismantling procedures.
3. Dismantle scaffold from the top down. Begin removing all accessories from that section being dismantled.
4. On stacked scaffolds do not remove ties and braces until dismantling has reached the second to which they are attached.
5. Always work within the inside of the scaffold.
6. When moving up or down the scaffold DO NOT climb on ties, braces, or non-braced components. Climb over the top of the frame. DO NOT swing around outside of the frame.
7. Be sure that the area below is clear of personnel not involved in the dismantling and the ground is secured against unauthorised access.
8. Lower the scaffold components in a safe controlled manner. Avoid dropping or throwing the components as this could result in injury to personnel below, or damage to the equipment.
9. Use energy absorbing lanyards and full body harness when required by law.

# SCAFFOLD SAFETY RULES

SERIOUS INJURY OR DEATH MAY RESULT FROM IMPROPER ASSEMBLY OR USE of scaffold equipment. Assemblers and users must be familiar with and follow safe practice and the Safety Rules written below. These Safety Rules cover generalised situations only and should not be used to replace any other additional safety and precautionary measures that may be necessary to cover the many usual or unusual conditions encountered during installation or dismantling. The rules are not intended to conflict with, or supersede the requirements of the OH&S Laws or any other government regulations, codes and rules; the user must refer to and comply with all such specific provisions of law.

- A. FOLLOW SAFE PRACTICE OF THE SAFETY RULES AND COMPLY WITH OH&S laws and other federal, state and local rules, codes and regulations pertaining to scaffolding during any use of the equipment.
- B. THE POTENTIALLY HAZARDOUS NATURE OF SCAFFOLDING ASSEMBLY makes it important that all personnel assigned to this work be instructed in these safety rules, safe practices and procedures and be under the supervision of an experienced person. Ensure that these Safety Rules are posted and that all assemblers and users of the scaffold are aware of and follow them.
- C. REPORT ANY UNSAFE CONDITIONS TO SUPERVISORS. Do not work or allow persons to work on scaffolds when sick or suffering from dizziness, unsteadiness or any other physical symptom which could affect their ability to work safe.
- D. INSPECT ALL EQUIPMENT BEFORE USE. Never use any equipment which is damaged, defective, or deteriorated in any way.
- E. INSPECT ASSEMBLED SCAFFOLD FREQUENTLY and be sure that it is maintained in a safe condition, ensure that the scaffold connections have not become loosened and that components have not been improperly released or removed.
- F. MAINTAIN ALL EQUIPMENT IN GOOD REPAIR. Never use corroded or excessively rusted equipment; the strength of such equipment is not known.
- G. CONSULT YOUR SCAFFOLDING SUPPLIER WHEN IN DOUBT. Never take chances.
- H. ALWAYS READ THESE SAFETY RULES in conjunction with all safety regulations.
- I. ALWAYS PLACE SCAFFOLDS ON A SOUND, STABLE SURFACE and assure that it is adequate to support the intended scaffold loads. Never place scaffolds on unstable where loose objects could tip, break or become dislodged.
- J. LIFT AND LOWER COMPONENTS CAREFULLY AND SAFELY; use tag lines where appropriate to the handling method. Never allow excessive quantities of components to be stockpiled on partially complete scaffolds. Stock only sufficient components consistent with the progress of the work. Lower dismantled components as soon

as possible. Never drop components deliberately.

K. THE TIEING OF THE SCAFFOLD TO THE STRUCTURE IS OF GREAT IMPORTANCE TO the stability and safety of the scaffold. Assure that the structure to which the scaffold is tied or anchored is capable of safely supporting all loads imposed by the scaffold.

L. FREE STANDING SCAFFOLDS other than wall scaffolds must be restrained from tipping by guying or other means or otherwise stabilised as appropriate, recognizing that stability is essential to the safety of the scaffold.

M. INSTALL GUARDRAILS, MIDRAILS, AND TOEBOARDS at all openings, open sides, and ends of every work platform.

N. NEVER USE LADDERS OR MAKESHIFT DEVICES on tops of scaffold to increase the height. Never place plank on or stand on guardrails and mid-rails.

O. POWER LINES NEAR SCAFFOLDS ARE DANGEROUS. Use extreme caution and consult the electrical company to have the lines de-energised, insulated, or otherwise rendered safe. Never allow any installation or use of scaffolds until this is completed.

P. WHEN ANY CANTILEVERS ARE USED, such as brackets, etc; proper care and precautions must be taken to prevent tipping of the scaffold.

Q. FOR MOBILE SCAFFOLDS FOLLOWING THESE ADDITIONAL SAFETY RULES:

- a. Never ride mobile scaffolds.
- b. Remove all materials and equipment from the scaffold before moving.
- c. Lock castor and outrigger brakes when scaffold is not being moved.
- d. Do not attempt to move mobile scaffold without sufficient help and roll on even surfaces only. Watch out for holes or surface obstructions and for overhead obstructions, including power lines and other hazards.
- e. The maximum platform height of a mobile scaffold must not be exceeded. All OH &S laws must comply when using mobile scaffold.
- f. Move the scaffold using the bottom frame. Never attempt to move the scaffold when on top.
- g. If mobile scaffolds are used outdoors, care must be taken to assure that they cannot become unstable due to wind or other conditions.

R. DO NOT OVERLOAD SCAFFOLDS. Refer to and do not exceed the scaffold load capacities.